



# UNIDADE DE GESTÃO DE PROJECTOS ESPECIAIS

## CABO VERDE RENEWABLE ENERGY AND IMPROVED UTILITY PERFORMANCE PROJECT

Avenida Amílcar Cabral, Ex. Edifício do BCV, 4º Andar  
CP nº 145, Plateau, Cidade da Praia - República de Cabo Verde  
Telefones: (+238) 261 75 84 / 261 59 39  
Fax: (+238) 261 59 39

[www.governo .cv](http://www.governo.cv)

### CLARIFICATION Nº5

### RFP No: 009/ REIUP/UGPE

**Project: Renewable Energy and Improved Utility Performance Project (REIUPP)**

**Contract title: ISD No: 009/REIUP/UGPE - Engineering Procurement, and Construction for**

- **FOGO island - Solar PV plant (capacity: 1.3 MWp)**
- **SANTO ANTAO island - Solar PV plant (capacity: 1.2 MWp)**
- **SAO NICOLAU island Solar PV plant (capacity: 0.4 MWp)**
- **MAIO island Solar PV plant (capacity: 0.4 MWp)**

**QUESTION 28:** *Related to "Contractor's Representative and Key Personal: Clarify whether there are 8 people or 7 people (Section III, part A, point 2 indicates the Project Manager and the Construction Manager as the same technician. Can it be like this or are they two independent profiles?). Also, can the same person have two profiles? (For example, that the same person is Health and Safety Specialist and Environmental specialist)*

**Answer 28:** Please refer to the amendment 2 for the key personnel. Each profile will be evaluated as specified.

**QUESTION 29:** *Related to Technical Proposal Forms point 3. Clarify what information is required in the point of "mobilization Schedule".*

**Answer 29:** The proposer shall present the schedule of mobilization activities up to the beginning of the construction.

**QUESTION 30:** *Related to G. Evaluation of Technical Parts of Proposals (ITP 31.4) How do you score point 12. Availability of the solar power plant?*

**Answer 30:** The proposer shall indicate the estimated availabilities (year 1 and year 2) of the solar power plant. Please refer to the section 3 – 2 Evaluation of the technical Part.

**QUESTION 31:** *Related to Bid-Security: Confirm if necessary (according to ITP 19 and ITP 19.3 (d) the presentation of a Bid Security of USD 200,000*

## UNIDADE DE GESTÃO DE PROJECTOS ESPECIAIS

### CABO VERDE RENEWABLE ENERGY AND IMPROVED UTILITY PERFORMANCE PROJECT

Avenida Amílcar Cabral, Ex. Edifício do BCV, 4º Andar  
CP nº 145, Plateau, Cidade da Praia - República de Cabo Verde  
Telefones: (+238) 261 75 84 / 261 59 39  
Fax: (+238) 261 59 39

[www.governo .cv](http://www.governo.cv)

**Answer 31:** The bid Security is mandatory.

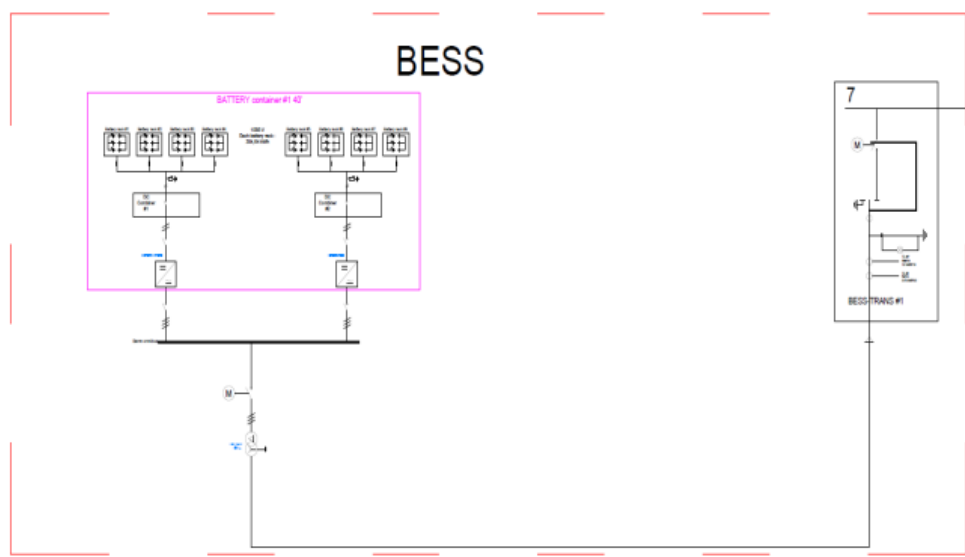
**QUESTION 32:** *Related to Evaluation and Qualification Criteria. In Section III, part B.2.c, how is the discount to the proposal price applied?*

**Answer 32:** Please refer to the RfP – Section III. The discount shall be withdrawn from the proposal price for evaluation.

**QUESTION 33:** *Related to Letter of Proposal: Who and how should Potential DAAB Members be appointed?*

**Answer 33:** Refer to the section IX – 21.1 - The Sole Member shall be appointed mutually by both Parties.

**QUESTION 34:** *for MAIO, please confirm that all equipment related to BESS inside the red highlights are out of our scope of supply.*



**Answer 34:** Design, procurement, and Installation of BESS and its equipment is OUT of scope (for the 4 sites). Please refer to the RFP – Employers requirements and the minute of the pre-proposal meeting.

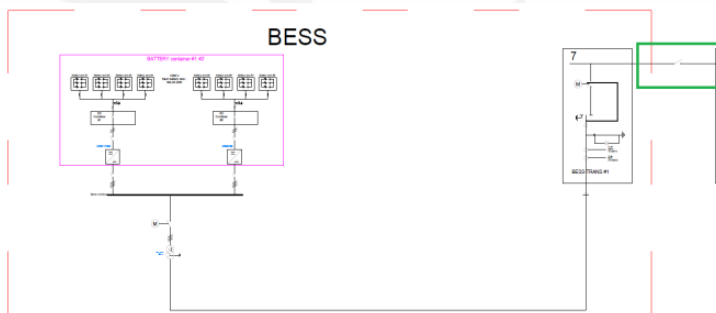
**Question 35:** *for MAIO, Please confirm that the connection to MV switchgear highlighted in green is out of scope.*

# UNIDADE DE GESTÃO DE PROJECTOS ESPECIAIS

## CABO VERDE RENEWABLE ENERGY AND IMPROVED UTILITY PERFORMANCE PROJECT

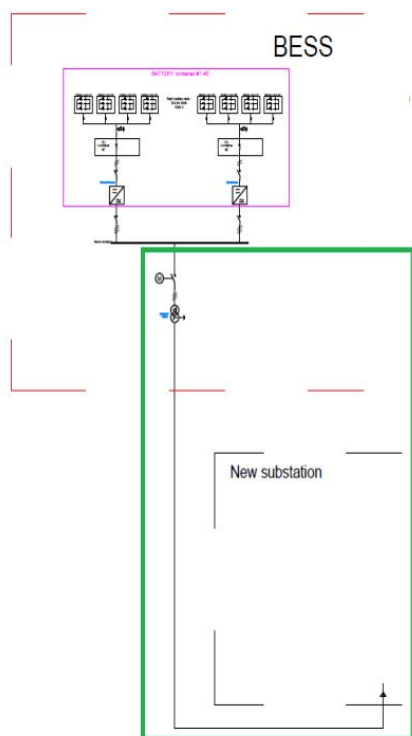
Avenida Amílcar Cabral, Ex. Edifício do BCV, 4º Andar  
CP nº 145, Plateau, Cidade da Praia - República de Cabo Verde  
Telefones: (+238) 261 75 84 / 261 59 39  
Fax: (+238) 261 59 39

[www.governo .cv](http://www.governo.cv)



**Answer 35:** Please refer to the updated SLD provider with the clarification 4. The BESS is now connected to the Electro Power Plant. The MV Switchgear doesn't exist then.

**QUESTION 36:** For Santo Antao, please confirm that the connection highlighted in green between BESS and MV switchgear is out of scope.



**Answer 36:** Design, procurement, and Installation of BESS and its equipment is OUT of scope (for the 4 sites). Please refer to the RFP – Employers requirements.

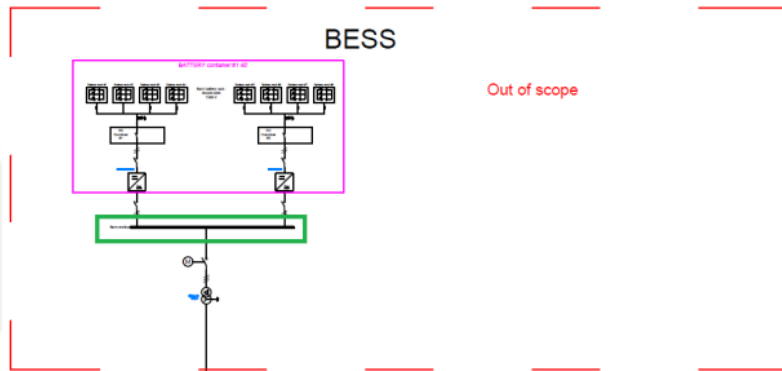
## UNIDADE DE GESTÃO DE PROJECTOS ESPECIAIS

### CABO VERDE RENEWABLE ENERGY AND IMPROVED UTILITY PERFORMANCE PROJECT

Avenida Amílcar Cabral, Ex. Edifício do BCV, 4º Andar  
CP nº 145, Plateau, Cidade da Praia - República de Cabo Verde  
Telefones: (+238) 261 75 84 / 261 59 39  
Fax: (+238) 261 59 39

[www.governo .cv](http://www.governo.cv)

**QUESTION 37:** *Please confirm that the highlighted in green in BESS is out of our scope.*



**Answer 37:** Design, procurement, and Installation of BESS and its equipment is OUT of scope (for the 4 sites). Please refer to the RFP – Employers requirements.

**QUESTION 38:** *With reference to the MV switchgear that will be used in the technical building and the new substation, please confirm that it includes a circuit breaker although it is not indicated on the single line diagrams. In case an MV circuit breaker has to be used in the MV switchgears, please confirm that it is of fixed type and not withdrawable.*

**Answer 38:** Please refer to the RFP – Employers requirements. The SLD has provided only for information. The Proposer shall design and provide all equipment in accordance with the RfP.

**QUESTION 39:** *Following the various site visits and the outcomes of the discussions with the procurement team, we would also like to request the possibility of an extension to the submission date by 1 month to allow for the bidder to prepare their best offers for the project*

**Answer 39:** Regarding the project constraints, it is not possible to extent the submission period.

UGPE, August 31, 2023